

CUBISCAN 110-XT SETUP

QUICK REFERENCE GUIDE

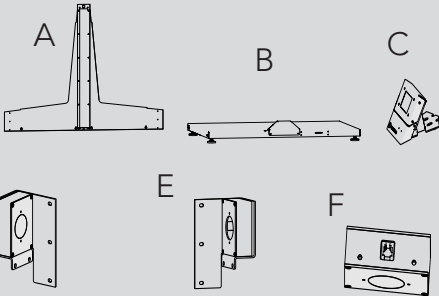
This quick reference guide provides an overview and instructions for assembling and setting up the Cubiscan 110-XT. For more detailed instructions, see the *Cubiscan 110-XT Operations and Technical Manual*.

In the box

Upon opening the box, you'll find the following items:

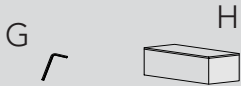


Cubiscan 110-XT Components



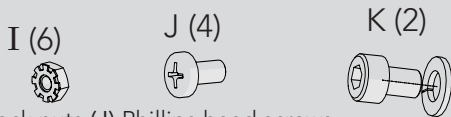
(A) back panel (B) scale platform (C) display
(D) Left sensor (E) Right sensor (F) top sensor

Tools



(G) 4mm Allen wrench (H) calibration cube, 12" x 5" x 3.6", black [save for future use]

Hardware



(I) lock nuts (J) Phillips head screws
(K) metric socket cap head screws and lock washers

Cords

- AC Power Cord
- USB 2.0 A/B 3 Meter Cable
- DB9F to DB9F Serial Cable, 10FT
- USB to Serial Adapter

- Tool needed, but not supplied:
- Phillips screwdriver

1 Consider placement

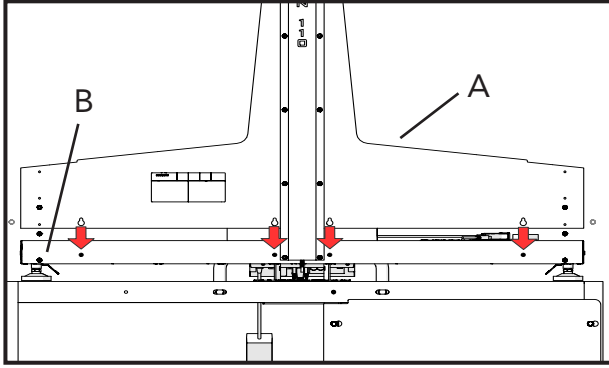
Consider the following when choosing where to place the Cubiscan 110-XT:

- Maintain minimum of 1 inch clearance on each side
- Don't rest or lean objects on it when not in use
- Place on a flat, sturdy surface free from vibration
- No extremes in temperature or humidity
- Far from open freight doors
- No direct air blowing on it
- Protect it from static electricity

2 Unpack

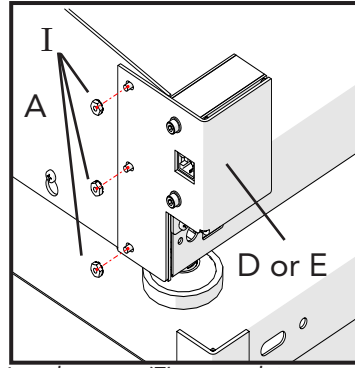
- 1 Lift the back panel and freestanding display from the box and set them aside.
- 2 With two people, carefully lift the platform from the box on the shorter edges, gently lifting one edge at a time.
- 3 Place the platform on a stable work surface with the front sensor at the front of the work surface.

3 Slide back panel on and secure

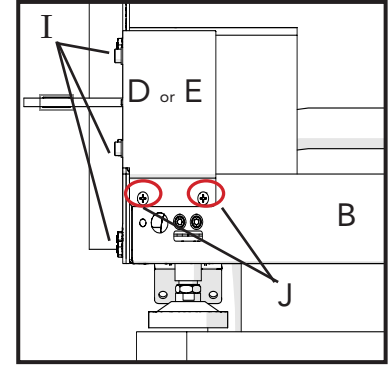


Loosen Phillips screws, slide back panel (A) down, tighten screws

4 Attach side sensors (repeat with the other side sensor)



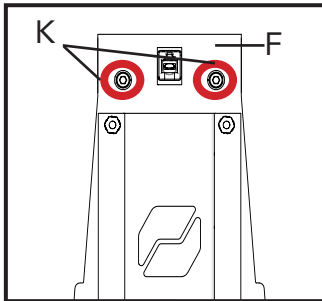
Lock nuts (I) attaching sensor bracket (D or E) to back plate (A)



Phillips screws (J)

Note: Avoid touching the delicate gold foil on the sensors.

5 Attach top sensor

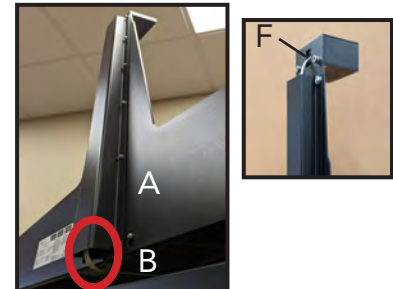


Use included 4mm Allen wrench to secure socket head cap screws and lock washers (K).

6 Connect sensor cables



Plug cables into receptors on sensors (D or E), clicking them in place.



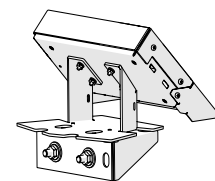
Thread cable through backplate channel from below back center of scale platform (B), and plug into top sensor (F).

7 Set up display

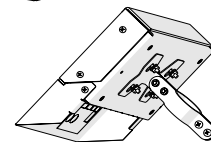
- 1 Locate the green-ended tethering cable coming from under the front of the platform. Plug the cable into its green port below the screen on the freestanding display (C).
- 2 Locate the power cable and plug it into its port.
- 3 Orient the display so that it faces the operator. **The preferred method is to bolt the display to a Cubiscan cart as shown.** The display may also be clamped to the pole of the cart's laptop attachment, or it can be placed on an adjacent table or desk.



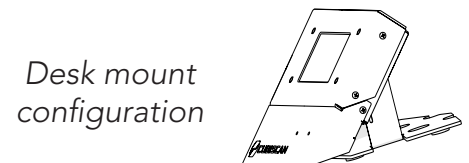
Display bolted to cart



Cart mount configuration



Post mount configuration



Desk mount configuration

