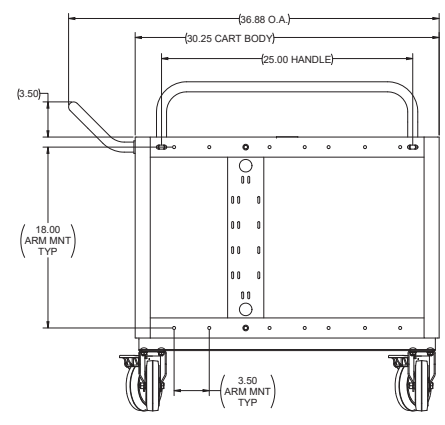
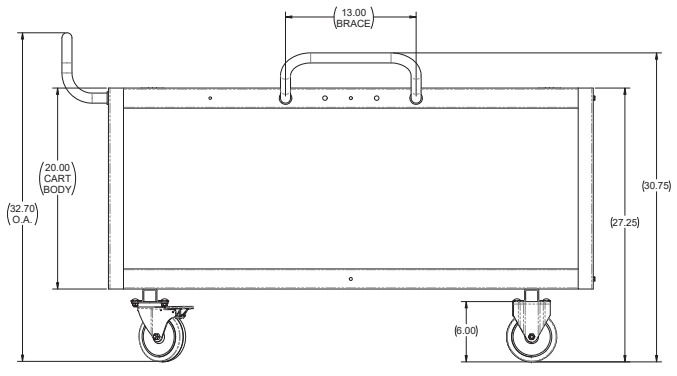
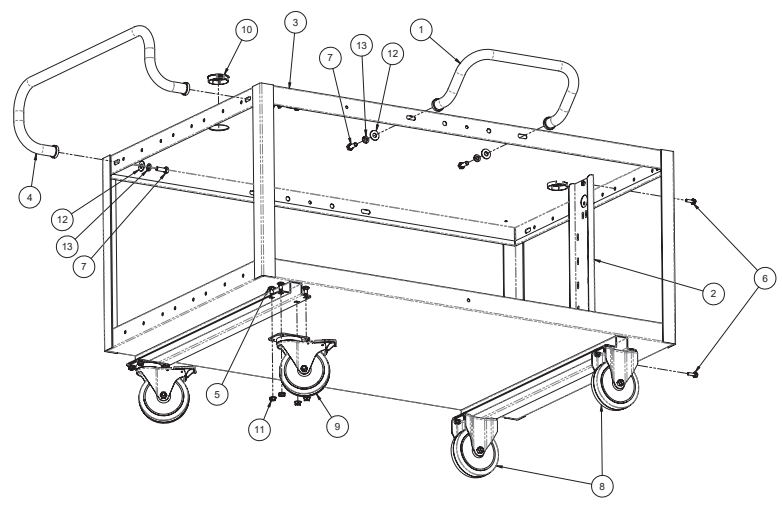
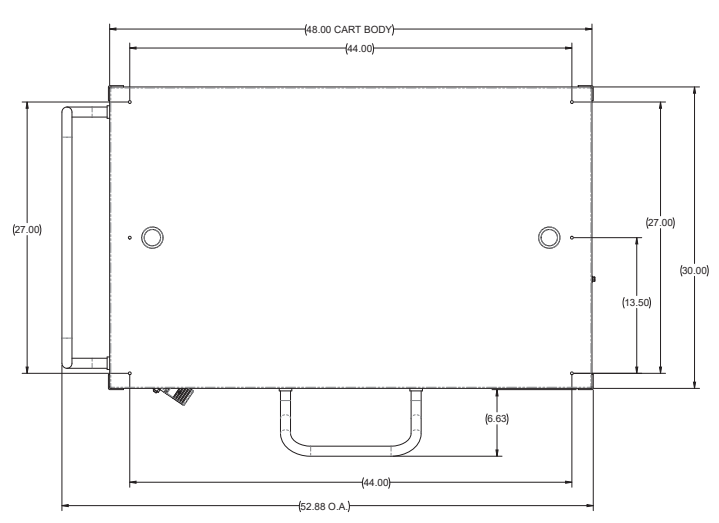


DWG. NO.		16320	REV	1	A
REVISION HISTORY					
ZONE	REV	ECO#	DESCRIPTION	DATE	CHANGED BY
ALL	A	0706	PRODUCTION RELEASE	06/09/22	MLM



BILL OF MATERIALS			
ITEM NO.	QTY.	PART NUMBER	DESCRIPTION
1	1	14767	BRACE, CART 13IN MNT BENT
2	1	16323	BRKT, CART CABLING
3	1	16321	CART BODY, 30x48x21H OPEN
4	1	14765	HANDLE, CART 25IN MNT BENT
5	16	16121	BOLT, CARRIAGE 5/16-18 x 3/8, ST
6	2	13285	BOLT, HEX FL 1/4-20x3/4, SS
7	4	10625	BOLT, HEX 3/8-16 x 1, ST
8	2	14837	CASTER, FIXED 5IN W x 6IN HT
9	2	14838	CASTER, SWIVEL 5IN W x 6IN HT
10	2	16151	GROMMET, 2.0 HOLEx1/32-1/8 PNL THK
11	16	11047	NUT, HEX FLANGE 5/16-18, ST
12	4	10016	WASHER, FLAT 3/8, ST
13	4	12100	WASHER, LOCK SPLIT 3/8, ST

UNLESS OTHERWISE SPECIFIED DIMENSIONS ARE IN INCHES. TOLERANCES ARE:

FINISH:	FRAC:	DECIMALS:	ANGLES:	MATERIAL:	DRG:	MLM	06/28/22	
FRAC:	DECIMALS:	ANGLES:	SEE BILL OF MATERIALS	SEE	MLM	06/23/22		

WEIGHT (LBS): 107.4

SCALE: 1:4    FILE NAME: 1030    SHEET 1 OF 1

CONFIDENTIALITY NOTICE: This document contains confidential and proprietary information of Quantro, Inc. (USA-Cubiscan). It is intended solely for the intended recipient's internal use. Disclosure, copying, or distribution is prohibited. If you have received this document in error, please delete or destroy it (and any attachments) and notify Quantro, Inc. promptly by the same method of correspondence.