

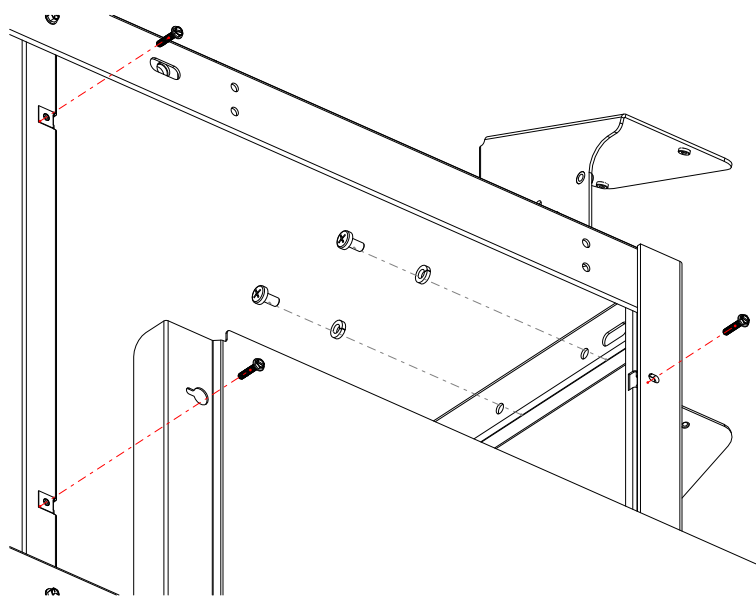
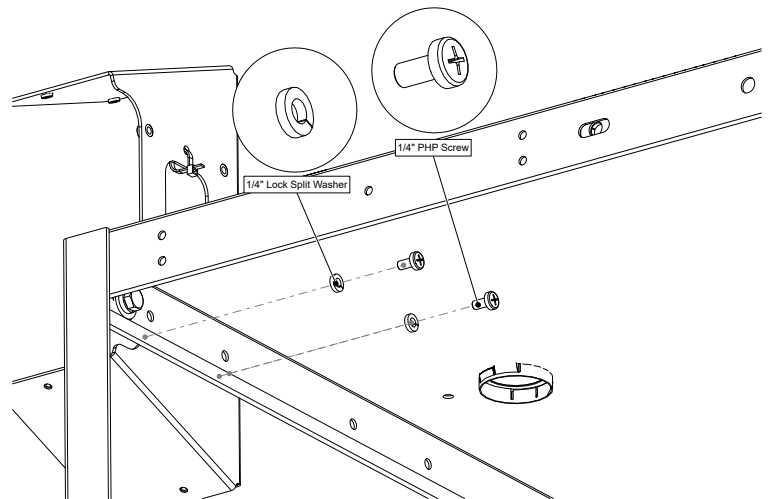
BARCODE SCANNER MOUNT SETUP

QUICK REFERENCE GUIDE

This quick reference guide provides instructions for attaching the barcode scanner mount to your Cubiscan™ 325 cart.

ASSEMBLY

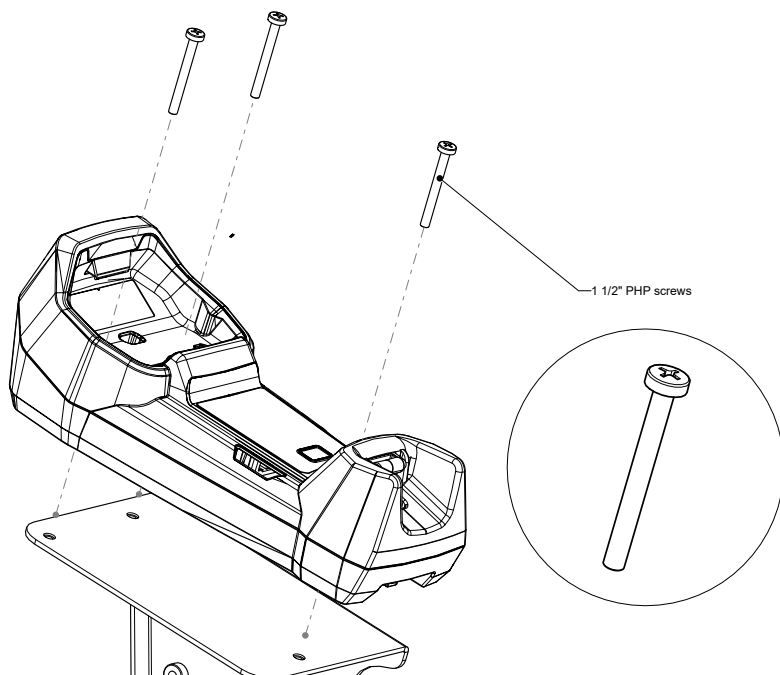
1. For your convenience, the barcode mounting assembly for the Cubiscan™ 325 is designed to mount on either the left or right side of the cart simply by flipping the mounting unit over to the correct orientation.
2. To do this ensure that the mount is situated so that the top surface slopes downward toward the front of the cart. This surface is



where the barcode will be mounted and should be situated in a way that makes it easily accessible.

3. Use the 1/4" Lock split washer and 1/4" PHP screws to secure the mounting bracket to the cart.
4. When mounting on the right-hand side of the cart, you may remove the side panel in order to have better access to the bracket mounting holes.

SETUP CONTINUED



5. As before, ensure that the mounting bracket is situated so the top mounting surface slopes downward toward the front of the cart.
6. Replace the side panel to its original position.
7. Once the mount is securely in place, use the three 1 1/2" PHP screws to secure the barcode reader base to the mount.
8. The screws will pass through the mounting holes of the barcode reader stand and fasten to the corresponding holes in the mount.

9. Depending on the orientation, the cord will wrap on the left or right side of the mount as seen in the figure. Use cable ties to secure the cord to the mount.
10. Run the cord through the gap in the mount to the controller unit.

